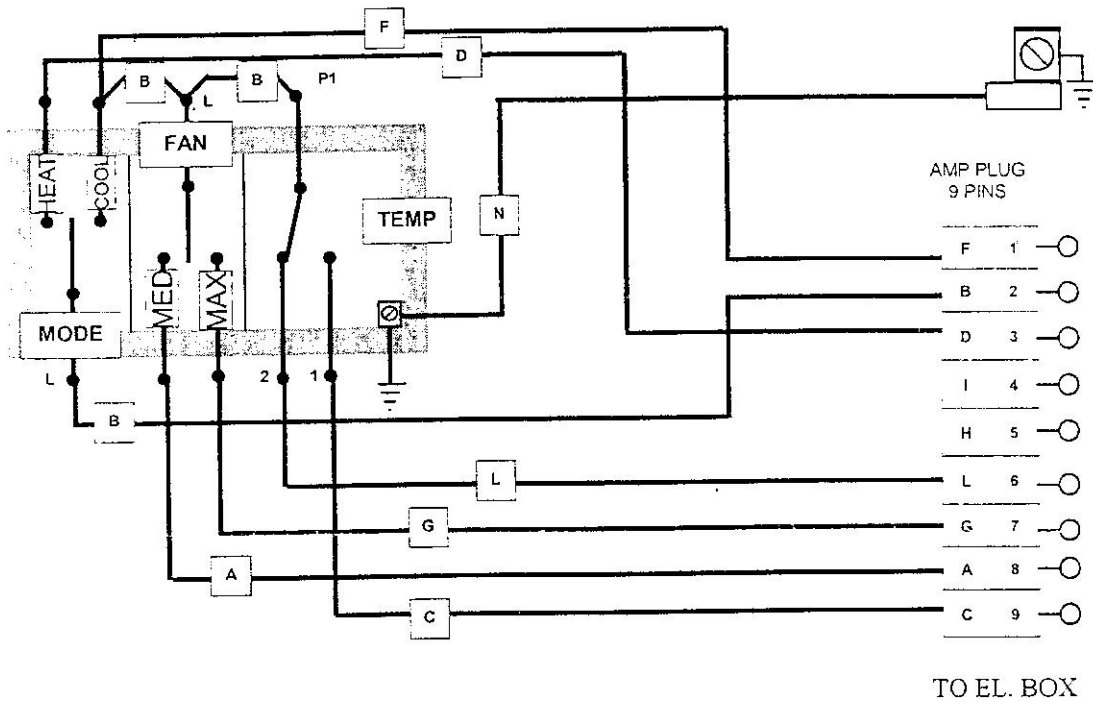


REMOTE CONTROL PANEL M4659 A
 PANNEAU DE CONTROLE M4659 A
 PANNELLO DI COMANDO M4659 A

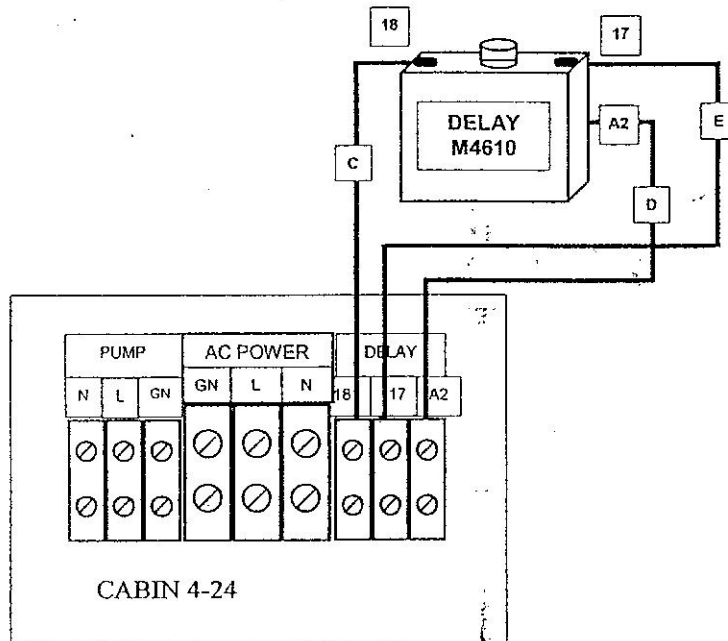
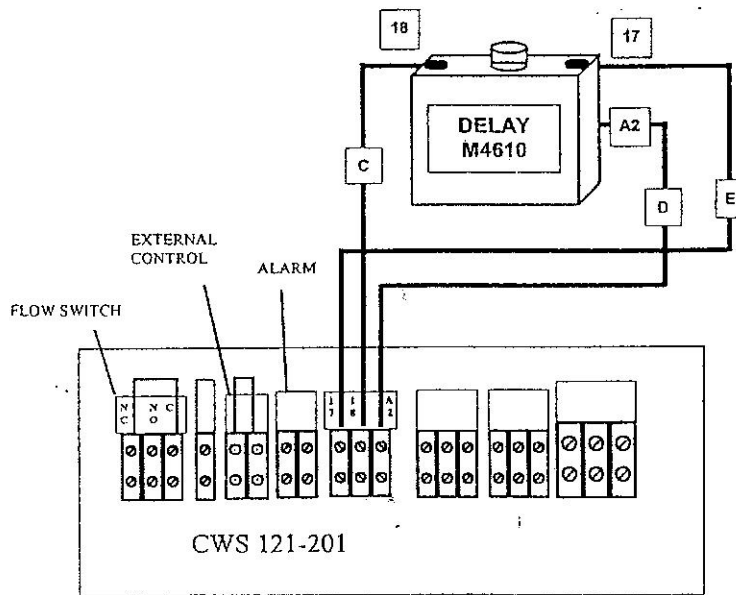


A	WHITE-BLANC-BIANCO	E	BROWN-MARRON-MARRONE	I	PINK-ROSE-ROSA	N	YELLOW/GREEN-JAUNE/VERT-GIALLO/VERDE
B	BLACK-NOIR-NERO	F	GREY-GRIS-GRIGIO	L	AZUR-CELESTE	O	YELLOW/BLUE-JAUNE/BLEU-GIALLO/BLU
C	RED-ROUGE-ROSSO	G	ORANGE-ARANCIO	M	YELLOW/BLACK-JAUNE/NOIR-GIALLO/NERO	P	YELLOW/RED-JAUNE/ROUGE-GIALLO/ROSSO
D	BLUE-BLEU BLU	H	VIOLET-VIOLETTE-VIOLA				



C302 04/01

TIMER DELAY - RETARD - RITARDO

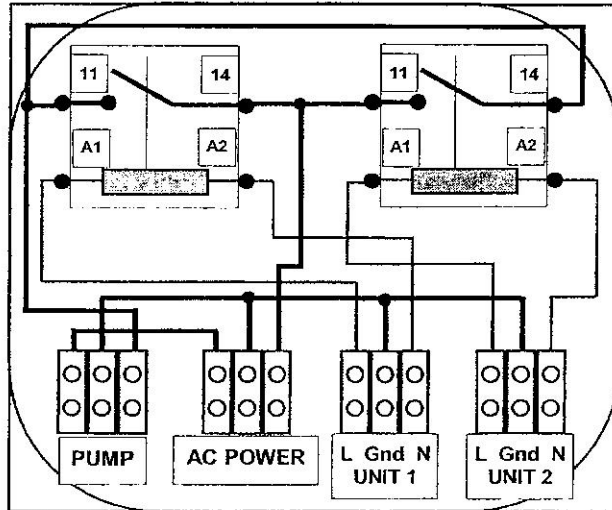


A	WHITE-BLANC-	E	BROWN-MARRON-	I	PINK-ROSE-ROSA	N	YELLOW/GREEN-JAUNE/ VERT-GIALLO/VERDE
B	BLACK-NOIR-NERO	F	GREY-GRIS-GRIGIO	L	AZUR-CELESTE	O	YELLOW/BLUE-JAUNE/BLEU- GIALLO/BLU
C	RED-ROUGE-	G	ORANGE-ARANCIO	M	YELLOW/BLACK-JAUNE/NOIR- GIALLO/NERO	P	YELLOW/RED-JAUNE/ ROUGE-GIALLO/ROSSO
D	BLUE-BLEU BLU	H	VIOLET-VIOLETTE-				

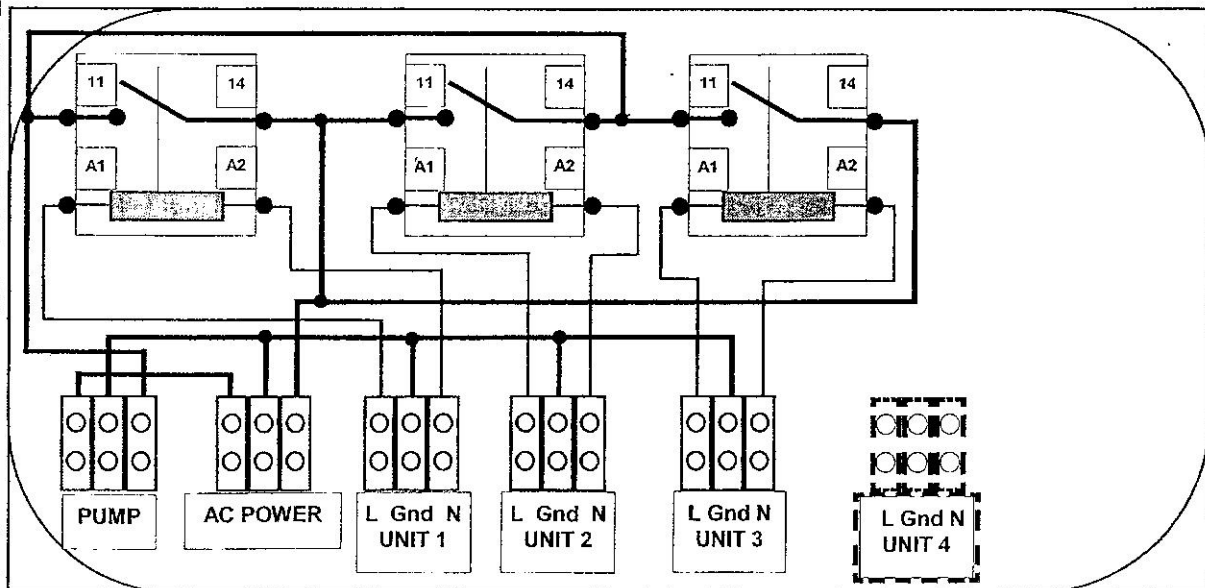


C304 12/01

PUMP RELAY BOX ELECTRICAL SCHEMATIC FOR 2 ÷ 6 UNITS
 SCHEMA ELECTRIQUE DU BOITERELAY POMPE POUR 2 ÷ 6 UNITE
 SCHEMA ELETTRICO DELLA SCATOLA RELAY POMPA PER 2 ÷ 6 GRUPPI

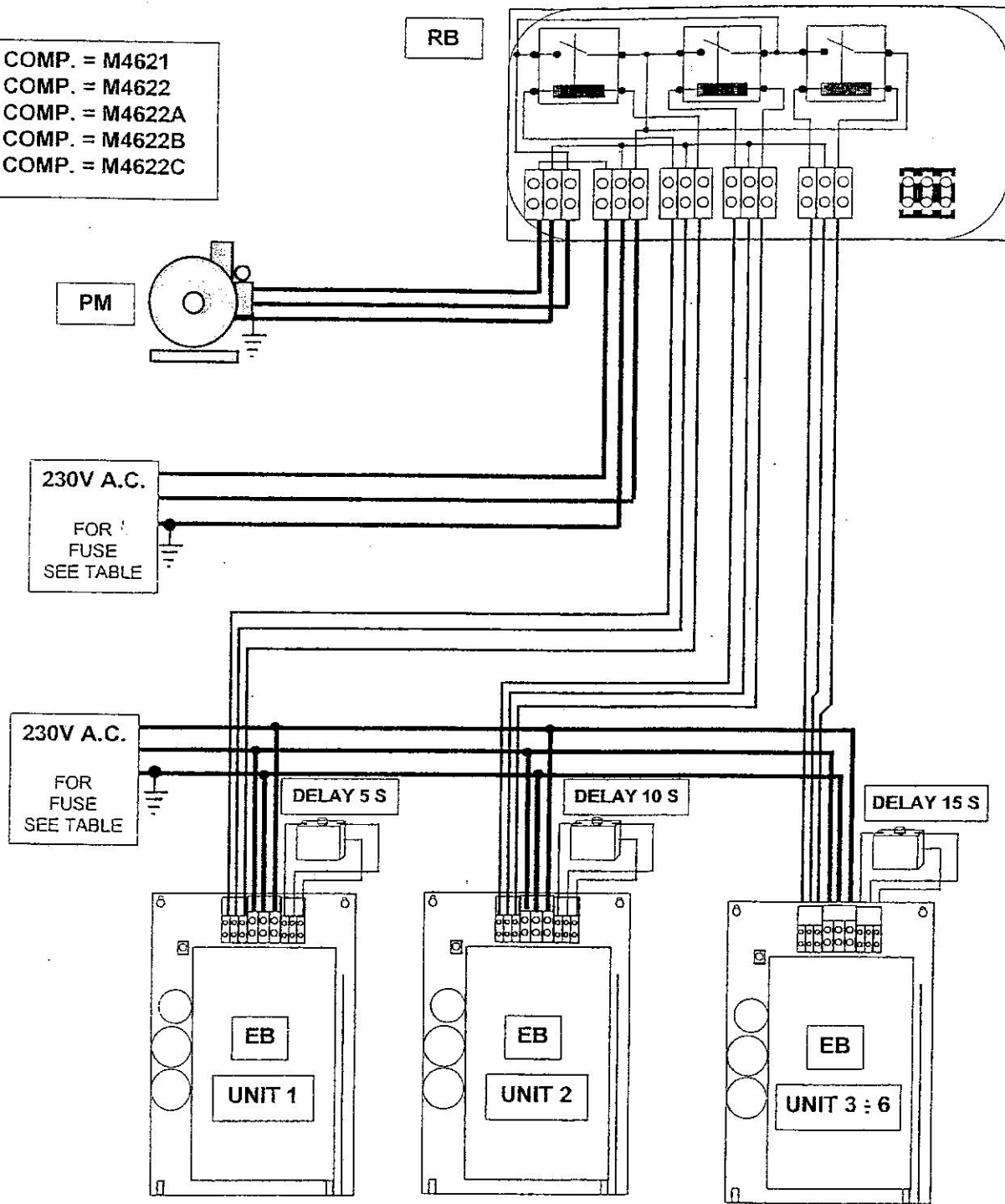


	230V 50Hz	115V 60 Hz
2 COMP.	M4621	M66170
3 COMP.	M4622	M66175
4 COMP.	M4622A	M66180
5 COMP.	M4622B	--
6 COMP.	M4622C	--



PUMP ELECTRICAL SCHEMATIC FOR 2 ÷ 6 AIR-CONDITIONERS
 SCHEMA ELECTRIQUE DU POMPE POUR 2 ÷ 6 CLIMATISEURS
 SCHEMA ELETTRICO DELLA POMPA PER 2 ÷ 6 CONDIZIONATORI

- 2 COMP. = M4621
- 3 COMP. = M4622
- 4 COMP. = M4622A
- 5 COMP. = M4622B
- 6 COMP. = M4622C



PM = SEA WATER PUMP - POMPE EAU DE MER - POMPA ACQUA MARE
 RB = PUMP RELAY BOX - BOITE RELAY POMPE - SCATOLA RELAY POMPA
 EB = AIR-CONDITIONING ELECTRIC BOX - BOITE ELECTRIQUE DU CLIMATISEUR - SCATOLA ELETTRICA CONDIZIONATORE